

TECHNICAL DATA

Datasheet 4118, Rev. F

Three-Phase MOSFET BRIDGE, With Gate Driver and Optical Isolation

DESCRIPTION: A 100 V/ 80 AMP, 250V/60A THREE PHASE MOSFET BRIDGE

ELECTRICAL CHARACTERISTICS PER MOSFET DEVICE SPECIFIED)

(T_j=25°C UNLESS OTHERWISE

PARAMETER	SYMBOL	MIN	TYP	MAX	UNIT
MOSFET SPECIFICATIONS					
Drain-to-Source Breakdown Voltage, SPM6M080-010D SPM6M060-025D I _D = 500 μA, V _{GS} = 0V	BV _{DSS}	100 250V	-	-	V
Continuous Drain Current T _C = 25 °C, SPM6M080-010D SPM6M060-025D T _C = 90 °C	I _D	-	-	80 70 60 40	A
Pulsed Drain Current, Pulse Width limited to 1 msec	I _{DM}	-	-	200	A
Static Drain-to-Source On Resistance, T _j = 25 °C SPM6M080-010D SPM6M060-025D I _D = 40A, V _{GS} = 15V,	R _{DSon}	-	0.004 0.029	0.005 0.033	Ω
Maximum Thermal Resistance SPM6M080-010D SPM6M060-025D	R _{θJC}	-	-	0.95 0.55	°C/W
Maximum operating Junction Temperature	T _{jmax}	-40	-	150	°C
Maximum Storage Junction Temperature	T _{jmax}	-55	-	150	°C

TECHNICAL DATA

Datasheet 4118, Rev. F

PRODUCT PARAMETERS - ($T_C=25\text{ }^\circ\text{C}$ unless otherwise noted)

Over-Temperature Shutdown					
Over-Temperature Shutdown	Tsd	100	105	110	$^\circ\text{C}$
Over-Temperature Output	Tso		10		10mV/ $^\circ\text{C}$
Over-Temperature Shutdown Hysteresis			20		$^\circ\text{C}$

DIODES CHARACTERISTICS

Continuous Source Current, $T_C=90\text{ }^\circ\text{C}$ SPM6M080-010D SPM6M060-025D	I_S	-	-	70 40	A
Diode Forward Voltage, SPM6M080-010D, $I_S=60\text{A}$ SPM6M060-025D, $I_S=40\text{A}$	V_{SD}	-		1.15 1.35	V
Diode Reverse Recovery Time, $V_{DD}=50\text{V}$, $di/dt=100\text{ A}/\mu\text{s}$ SPM6M080-010D SPM6M060-025D	t_{rr}	-	70 290	-	nsec

Gate Driver

Supply Voltage	VCC	14	15	16	V
Supply Input Current at Vcc, Pin 19, Without PWM Switching , with 10KHz PWM at Two Inputs			35 50		mA
Input On Current	HIN, LIN	2		5.0	mA
Opto-Isolator Logic High Input Threshold	I_{th}	-	1.6	-	mA
Input Reverse Breakdown Voltage	BV_{in}	5.0	-	-	V
Input Forward Voltage @ $I_{in}=5\text{mA}$	V_F	-	1.5	1.7	V

TECHNICAL DATA

Datasheet 4118, Rev. F

Under Voltage Lockout	VCCUV	9.0	10.0	11.5	V
ITRIP Reference Voltage ⁽¹⁾	Itrip-ref	1.57	1.63	1.68	V
Input-to-Output Turn On Delay	t _{ond}	-	700	-	nsec
Output Turn On Rise Time	t _r	-	50	-	
Input-to-Output Turn Off Delay	t _{offd}	-	750	-	
Output Turn Off Fall Time	t _f	-	60	-	
@ VCC=50V, ID=40A, T _C = 25					
Dead Time Requirement, for Shoot Through Prevention		600	750		nsec
Opto-Isolator Input-to-Output Isolation Voltage, momentary	-	-	2500	-	V
Opto-Isolator Operating Input Common Mode Voltage				1000	V
Opto-Isolator Operating Input Common Mode Transient Immunity, with I _{in} > 5mA				10	KV/usec
Pin-To-Case Isolation Voltage, DC Voltage		-	1500	-	V

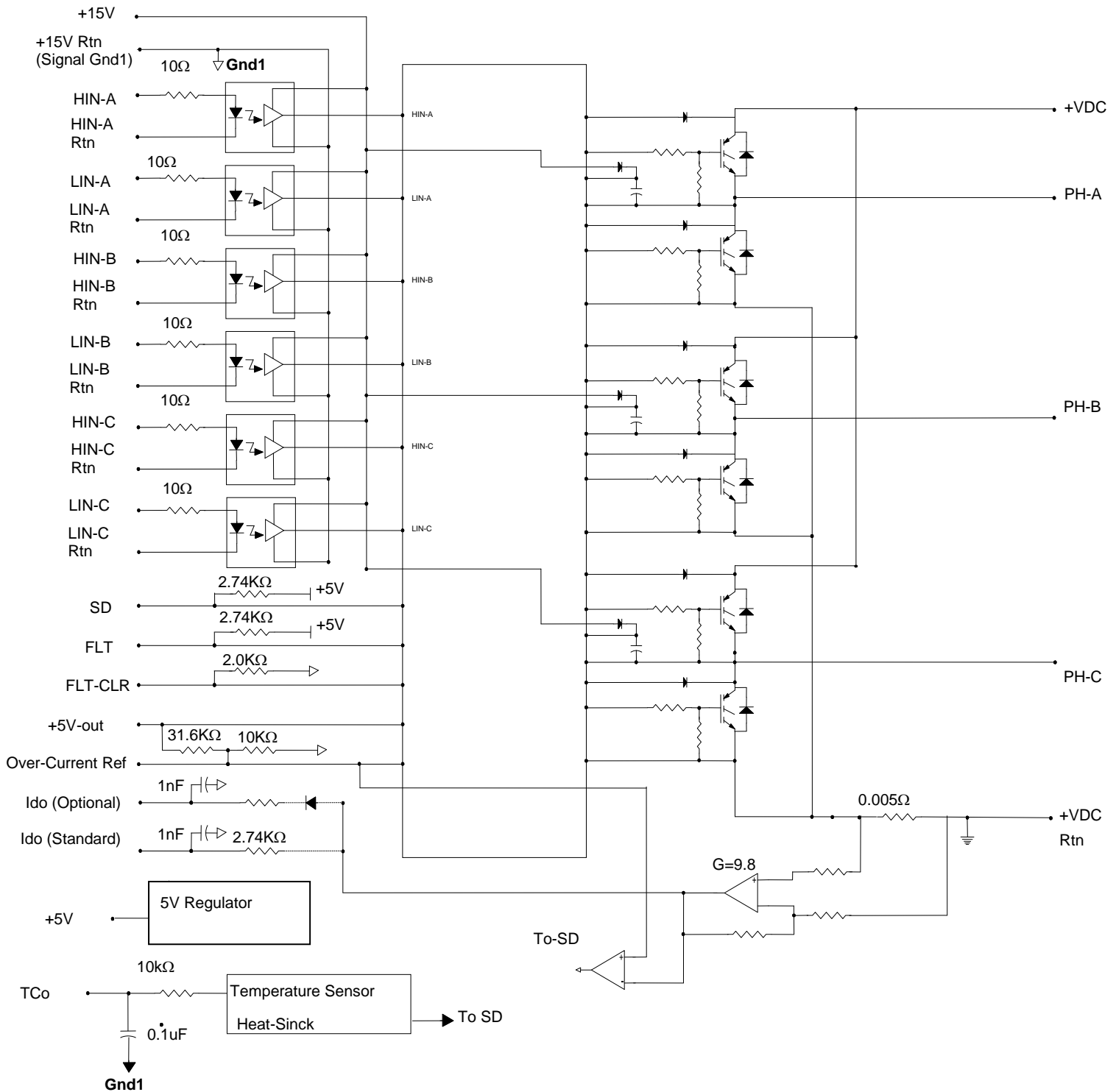
DC Bus Current Sensor

Shunt Resistor Value	-	-	5	-	mOhm
Current Amplifier Gain, Referenced to Signal Gnd			0.049		V/A
Current Amplifier DC Offset (Zero DC Bus Current)			0.010	0.030	V
Current Amplifier Response Time			3		usec

(1) ITRIP current limit is internally set to 35A peak. The set point can be lowered by connecting a resistor between Itrip-ref and Gnd. The set point can be increased by connecting a resistor between Itrip-ref and +5V ref. The off time duration is about 70 usec.

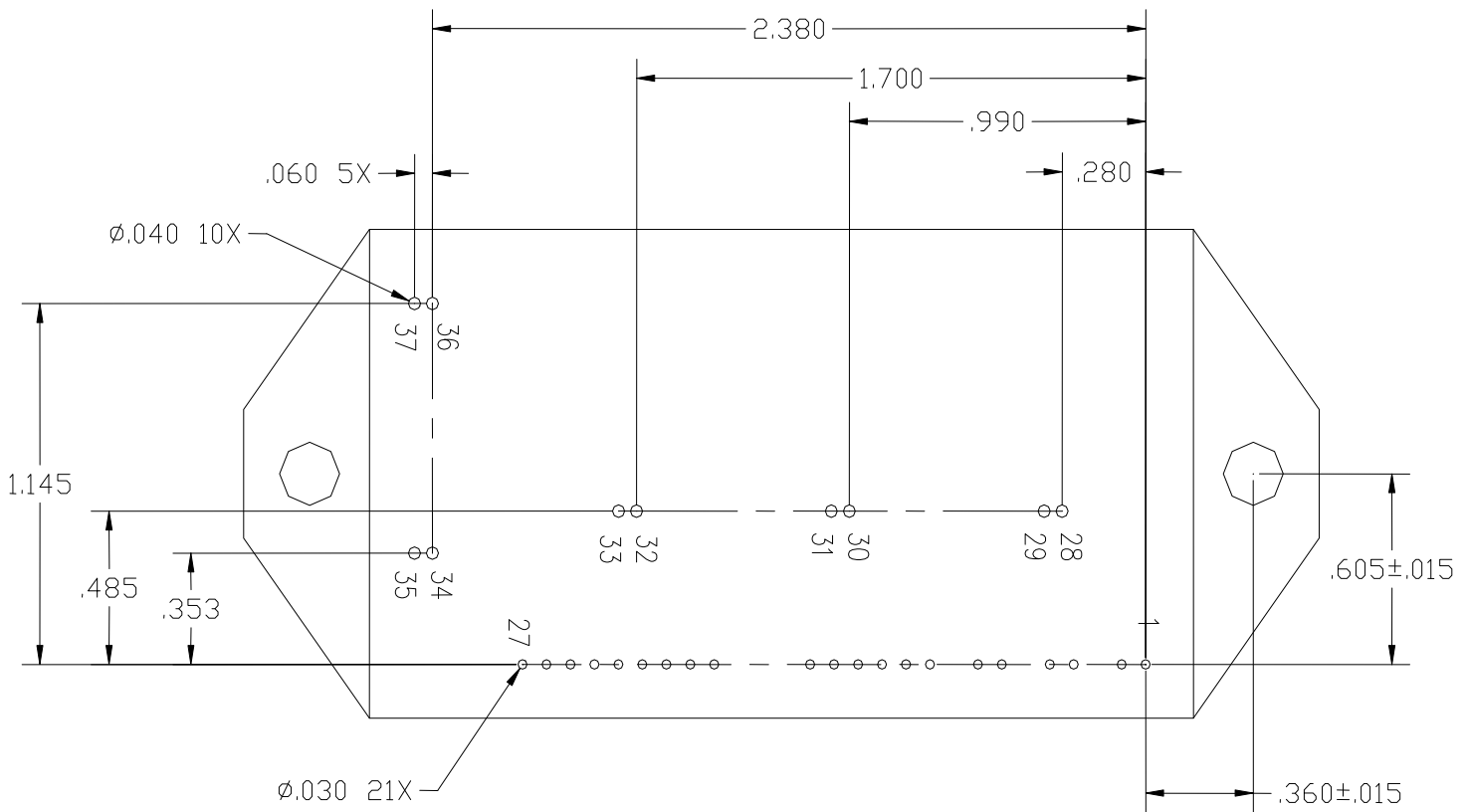
TECHNICAL DATA

Datasheet 4118, Rev. F



TECHNICAL DATA
Datasheet 4118, Rev. F

Figure 3 - Package Pin Locations
(All dimensions are in inches; tolerance is +/- 0.005" unless otherwise specified)



TECHNICAL DATA

Datasheet 4118, Rev. F

PIN OUT

Pin #	Name	Description
1	HinA	Isolated Drive Input for High-side MOSFET of Phase A
2	HinA-Rtn	Return for Input at 1
3	NC	Not Connected
4	LinA	Isolated Drive Input for Low-side MOSFET of Phase A
5	LinA-Rtn	Return for Input at 4
6	NC	Not Connected
7	HinB	Isolated Drive Input for High-side MOSFET of Phase B
8	HinB-Rtn	Return for Input at 7
9	NC	Not Connected
10	LinB	Isolated Drive Input for Low-side MOSFET of Phase B
11	LinB-Rtn	Return for Input at 10
12	HinC	Isolated Drive Input for High-side MOSFET of Phase C
13	HinC-Rtn	Return for Input at 12
14	LinC	Isolated Drive Input for Low-side MOSFET of Phase C
15	LinC-Rtn	Return for Input at 14
16	NC	Not Connected
17	NC	Not Connected
18	NC	Not Connected
19	Vcc	+15V input biasing supply connection for the controller. Under-voltage lockout keeps all outputs off for Vcc below 10.5V. Vcc pin should be connected to an isolated 15V power supply. Vcc recommended limits are 14V to 16V , and shall not exceed 18V. The return of Vcc is pin 20. Recommended power supply capability is about 70mA.
20	+15V Rtn ⁽³⁾	Signal ground for all signals at Pins 19 through 27. This ground is internally connected to the +VDC Rtn through 1.7 Ohms. It is preferred not to have external connection between Signal Gnd and +VDC Rtn.

TECHNICAL DATA
Datasheet 4118, Rev. F

Pin #	Name	Description
21	SD ⁽³⁾	<p>It is an active low, dual function input/output pin. It is internally pulled high to +5V by 2.74K Ω. As a low input it shuts down all MOSFETs regardless of the Hin and Lin signals.</p> <p>SD is internally activated by the over-temperature shutdown, over-current limit, and desaturation protection</p> <p>Desaturation shutdown is a latching feature. Over-temperature shutdown, and over-current limit are not latching features.</p> <p>SD can be used to shutdown all MOSFETs by an external command. An open collector switch shall be used to pull down SD externally.</p> <p>SD can be used as a fault condition output. Low output at SD indicates a latching fault situation.</p>
22	Flt ⁽³⁾	<p>It is a dual function input/output pin. It is an active low input, internally pulled high to +5V by 2.74K Ω. If pulled down, it will freeze the status of all the six MOSFETs regardless of the Hin and Lin signals.</p> <p>As an output, Pin 13, reports desaturation protection activation. When desaturation protection is activated a low output for about 9 μsec is reported.</p> <p>If any other protection feature is activated, it will not be reported by Pin 22.</p>
23	Flt-Clr ⁽³⁾	<p>is a fault clear input. It can be used to reset a latching fault condition, due to desaturation protection.</p> <p>Pin 23 an active high input. It is internally pulled down by 2.0KΩ. A latching fault due to desaturation can be cleared by pulling this input high to +5V by 200-500Ω, or to +15V by 3-5KΩ, as shown in Fig. 6.</p> <p>It is recommended to activate fault clear input for about 300 μsec at startup.</p>

TECHNICAL DATA

Datasheet 4118, Rev. F

Pin #	Name	Description
24	+5V Output	+5V output. Maximum output current is 30mA
25	Itrip-Ref ⁽³⁾	Adjustable voltage divider reference for over-current shutdown. Internal pull-up to +5V 31.6K Ω , pull down to ground is 10K Ω , and hysteresis resistance of 50K Ω . The internal set point is 1.64V, corresponding to over-current shutdown of 34A. The re-start delay time is about 100 usec.
26	Idco	DC bus current sense amplifier output. The sensor gain is 0.049V/A. The internal impedance of this output is 2.74K Ω , and internal filter capacitance is 1nF.
27	TCo	Analog output of case temperature sensor. The sensor output gain is 0.010 V/ $^{\circ}$ C, with zero DC offset. This sensor can measure both positive and negative $^{\circ}$ C. The internal impedance of this output is 10K Ω . The internal block diagram of the temperature sensor is shown in Fig. 5.
28 & 29	PhA	Phase A output
30 & 31	PhB	Phase B Output
32 & 33	PhC	Phase C Output
34 & 35	+VDC Rtn	DC Bus return
36 & 37	+VDC	DC Bus input
Case	Case	Isolated From All Terminals

Application Notes

a- Input Interface:

Recommended input turn-on current for all six drive signals is 5-8mA.
For higher noise immunity the tri-state differential buffer, DS34C87, is recommended as shown in Fig. 4.

Note : Connect LinA to non-inverting output for a non-inverting input logic.
Connect LinA to inverting output for an inverting input logic.

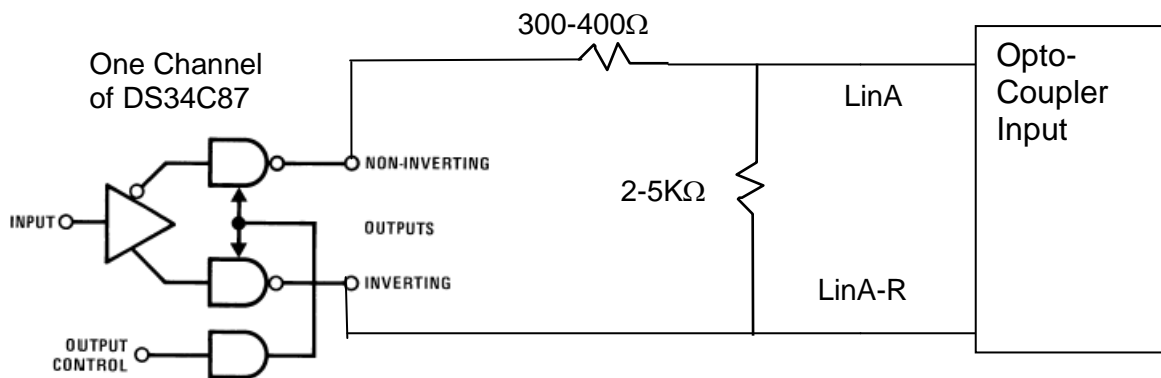


Fig. 4. Input Signal Buffer

b-Temperature Sensor Output:

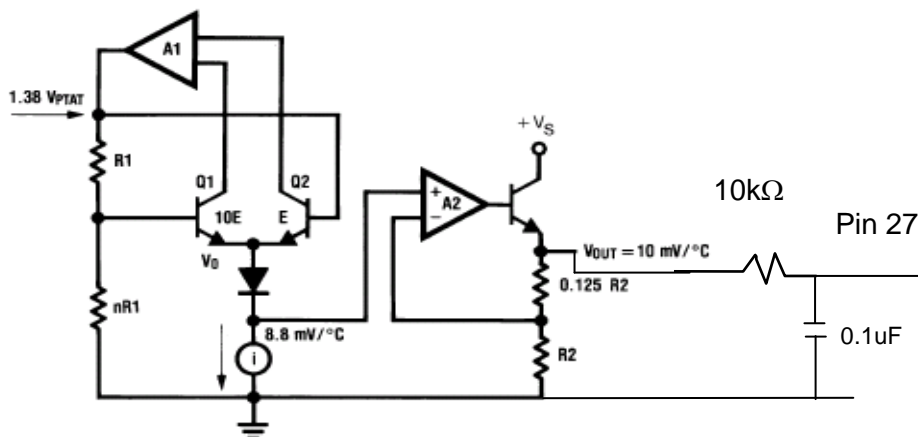


Fig. 5 Temperature Sensor Internal Block Diagram

For both negative and positive temperature measurement capability, Contact the Factory.

TECHNICAL DATA

Datasheet 4118, Rev. F

Truth Table For DS34C87

Input	Control Input	Non-Inverting Output	Inverting Output
H	H	H	L
L	H	L	H
X	L	Z	Z

d- DC Bus Charging from 15V

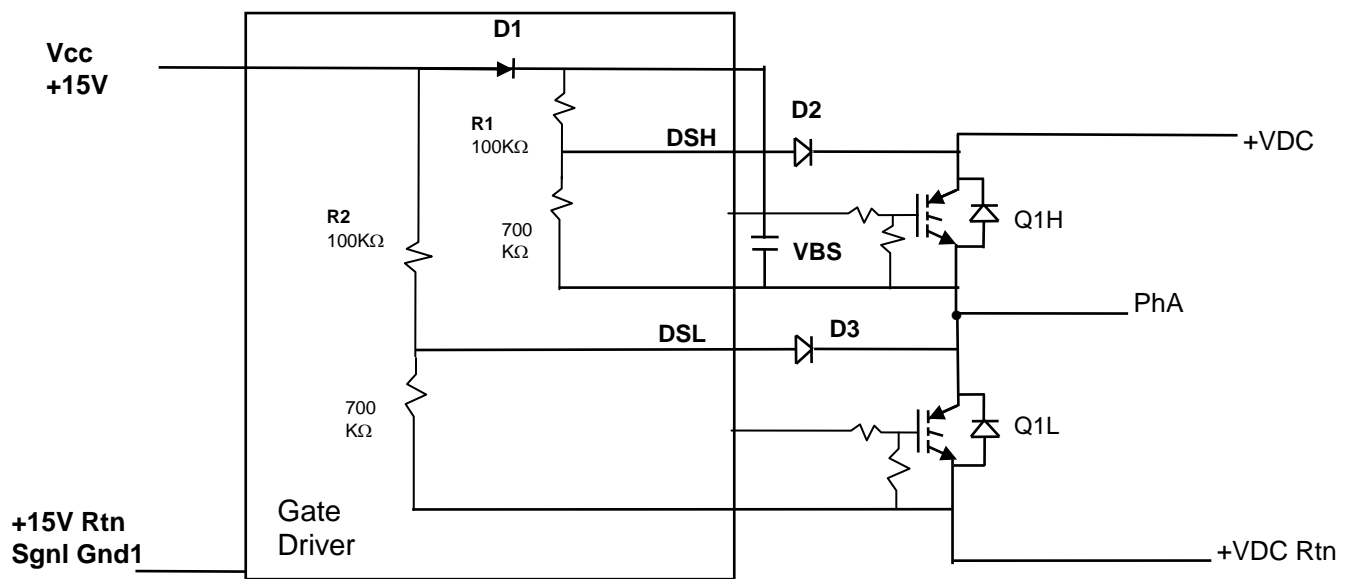


Figure 7. Charging Path from 15V Supply to DC Bus when DC Bus is off

- Each MOSFET is protected against desaturation.
- D2 is the desaturation sense diode for the high-side MOSFET
- D3 is the desaturation sense diode for the low-side MOSFET
- When the DC bus voltage is not applied or below 15V, there is a charging path from the 15V supply to the DC bus through D2 and D3 and the corresponding pull up 100K Ohm resistor. The charging current is 0.15mA per MOSFET. Total charging current is about 1.5mA.
- **Do not apply PWM signal if the DC bus voltage is below 20V.**

TECHNICAL DATA

Datasheet 4118, Rev. F

g- Increasing Current Limit Window:

The adjustable over-current shutdown reference at Pin25 is internally set to 1.64V corresponding to 34A. A voltage divider reference is used as shown in Fig.16. Internal pull-up to +5V is 31.6KΩ, pull down to ground is 10KΩ, and hysteresis resistance to SD is 49.9KΩ. The re-start delay time, off time, is about 100 usec.

In order to increase the over-current shutdown reference to 2.8V, corresponding to 57A peak current, an external pull-up resistance R is needed. It is recommended to add R=9 KΩ between Pins 21 and 25. The corresponding off time will be about 200usec. The additional R=9 KΩ will reduce the high level of SD to 4.4V.

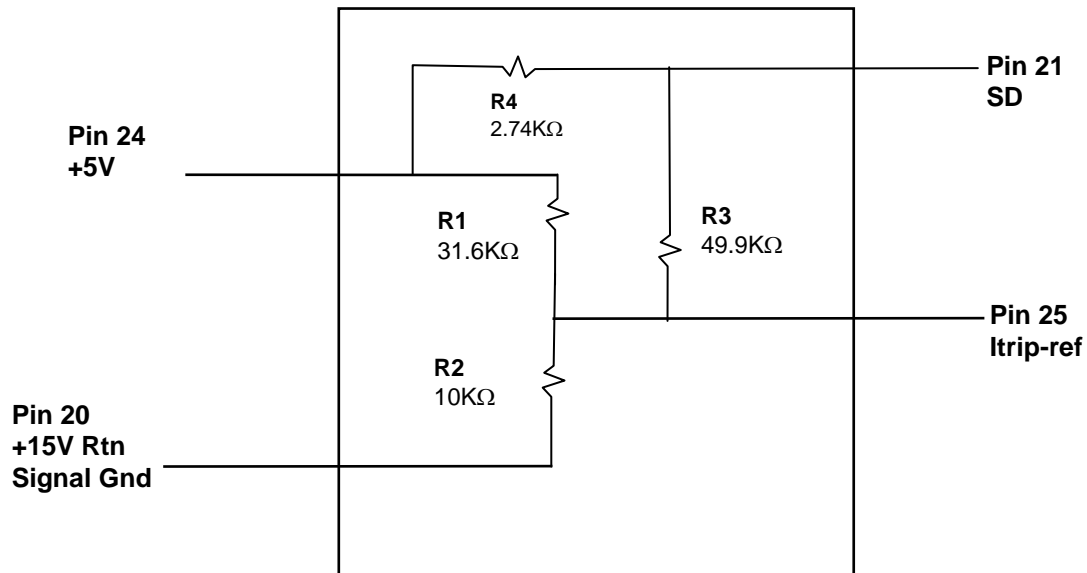


Figure 10. Internal Over-Current Shutdown Reference

TECHNICAL DATA

Datasheet 4118, Rev. F

h- Cleaning Process:

Suggested precaution following cleaning procedure:

If the parts are to be cleaned in an aqueous based cleaning solution, it is recommended that the parts be baked immediately after cleaning. This is to remove any moisture that may have permeated into the device during the cleaning process. For aqueous based solutions, the recommended process is to bake for at least 2 hours at 125°C. Do not use solvents based cleaners.

i- Soldering Procedure:

Recommended soldering procedure:

Signal pins 1 to 27: 210C for 10 seconds max

Power pins 28 to 37: 260C for 10 seconds max. Pre-warm module to 125C to aid in power pins soldering.

Ordering Information:

SPM6M080-010D, SPM6M060-025D are standard with a bi-directional current sense signal.

DISCLAIMER:

1- The information given herein, including the specifications and dimensions, is subject to change without prior notice to improve product characteristics. Before ordering, purchasers are advised to contact the Sensitron Semiconductor sales department for the latest version of the datasheet(s).

2- In cases where extremely high reliability is required (such as use in nuclear power control, aerospace and aviation, traffic equipment, medical equipment, and safety equipment), safety should be ensured by using semiconductor devices that feature assured safety or by means of users' fail-safe precautions or other arrangement.

3- In no event shall Sensitron Semiconductor be liable for any damages that may result from an accident or any other cause during operation of the user's units according to the datasheet(s). Sensitron Semiconductor assumes no responsibility for any intellectual property claims or any other problems that may result from applications of information, products or circuits described in the datasheets.

4- In no event shall Sensitron Semiconductor be liable for any failure in a semiconductor device or any secondary damage resulting from use at a value exceeding the absolute maximum rating.

5- No license is granted by the datasheet(s) under any patents or other rights of any third party or Sensitron Semiconductor.

6- The datasheet(s) may not be reproduced or duplicated, in any form, in whole or part, without the expressed written permission of Sensitron Semiconductor.

7- The products (technologies) described in the datasheet(s) are not to be provided to any party whose purpose in their application will hinder maintenance of international peace and safety nor are they to be applied to that purpose by their direct purchasers or any third party. When exporting these products (technologies), the necessary procedures are to be taken in accordance with related laws and regulations.