

## Programmable DC Solid State Power Controller Module

### Description:

The SPDPXXD28-1 series Solid State Power Controller (SSPC) modules are designed to operate without any heatsink requirements. These modules are microcontroller-based Solid State Relays rated up to 50A, designed to be used in high reliability 28V DC applications. Featuring integrated current sensing with no derating over the full operating temperature range, the SPDPXXD28-1 series are the electronic equivalents of electromechanical circuit breakers with isolated control and status. This series comprises of modules in eight current levels, each one being programmable over a 5:1 current range.

- SPDP05D28-1:** Programmable from 1A to 5A
- SPDP10D28-1:** Programmable from 2A to 10A
- SPDP15D28-1:** Programmable from 3A to 15A
- SPDP20D28-1:** Programmable from 4A to 20A
- SPDP25D28-1:** Programmable from 5A to 25A
- SPDP30D28-1:** Programmable from 6A to 30A
- SPDP40D28-1:** Programmable from 8A to 40A
- SPDP50D28-1:** Programmable from 10A to 50A

### Compliant Documents & Standards:

- MIL-STD-704F Aircraft Electrical Power Characteristics 12 March 2004
- MIL-HDBK-217F, Notice 2 Reliability Prediction of Electronic Equipment 28 Feb 1995

### Module Features:

- No additional heat sinking or external cooling required!
- Extremely Low Power, No Derating Over the Full Temperature Range
- Low Weight (30 grams)
- Same Pin Out as Industry Standard SSPCs in a Smaller Outline
- Epoxy Shell Construction
- Solid State Reliability
- High Power Density

### Electrical Features (SPDPXXD28-1 Series):

- 28VDC Input with Very Low Voltage Drop; typ. 45mV@15A for SPDP25D28-1
- True I<sup>2</sup>t Protection up to 10X rating with Nuisance Trip Suppression
- Instant Trip Protection (100 μsec typ) for Loads Above 10X rating
- Unlimited Interrupt Capability; Repetitive Fault Handling Capability
- Thermal Memory
- Internally Generated Isolated Supply to Drive the Switch
- Low Bias Supply Current: 60 mA typ @ 5V DC
- High Control Circuit Isolation: 750V DC Control to Power Circuit
- Soft Turn-On to Reduce EMC Issues
- EMI Tolerant
- Module Reset with a Low Level Signal; Reset Circuit is Trip-Free
- TTL/CMOS Compatible, Digitally Isolated, Input and Outputs
- Input filter for Noise Immunity

**TECHNICAL DATA**  
**DATASHEET 5186, Rev D**

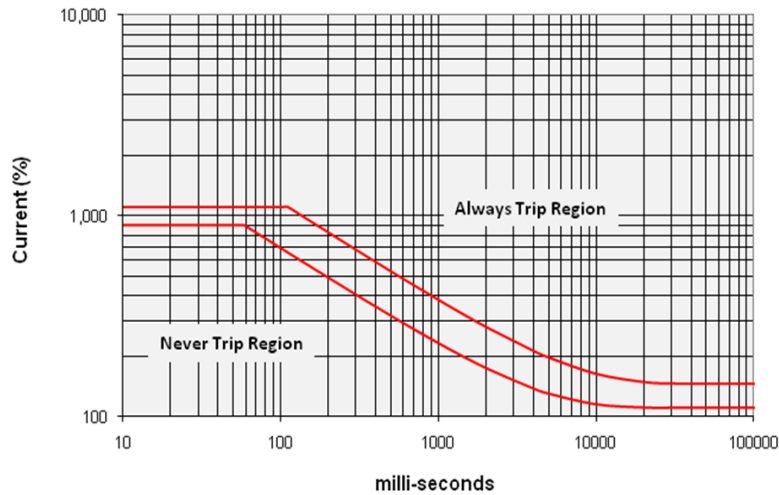
**Table 1 - Electrical Characteristics** (at 25 °C and  $V_{bias} = 5.0V$  DC unless otherwise specified)

<b>Control &amp; Status (TTL/CMOS Compatible)</b>	
BIAS ( $V_{cc}$ )	5.0V DC Nominal, 6.5V DC Absolute Maximum 4.5V to 5.5 VDC
BIAS ( $V_{cc}$ ) Current	60 mA typ 85 mA, max
GATE Status, Load Status Signals	$V_{oh}=4.6V$ min, at $I_{oh}=-4mA$ $V_{ol}=0.4V$ max, at $I_{ol}=4mA$
CONTROL Signal	$V_{Ih}=2.0V$ min $V_{Il}=0.8V$ max
Trip Reset	Cycle CONTROL Signal
<b>Power</b>	
Input Voltage – Continuous	0 to 40V DC, 55V DC Absolute Maximum
Power Dissipation	See Table 5
Current	See Table 5 See Figure 1, Trip Curve
Max Voltage Drop	See Table 5
Max current without tripping	110% min
Trip time	See Figure 1, Trip Curve
Output Rise Time (turn ON)	200 $\mu$ sec typ
Output Fall Time under normal turn-off	200 $\mu$ sec typ
Output Fall Time under Fault	50 $\mu$ sec typ
Min Load Requirement	Nil
<b>Protection</b>	
Short Circuit Protection	Unlimited
Instant Trip	800%, min; 1200%, max

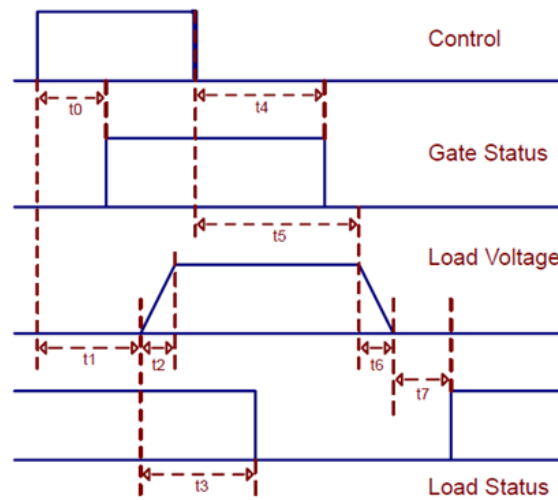
**Table 2 - Physical Characteristics**

<b>Temperature</b>	
Operating Temperature	$T_A = -55\text{ }^\circ\text{C}$ to $+100\text{ }^\circ\text{C}$
Storage Temperature	$T_A = -55\text{ }^\circ\text{C}$ to $+125\text{ }^\circ\text{C}$
<b>Environmental</b>	
Altitude	Up to 30,000 ft Can be installed in an unpressurized area
Case Dimensions	1.875 L X 1.125 W X 0.550 H
Operating Orientation	Any
Weight	40 grams max
MTBF (Estimate: MIL-HDBK-217F)	44 Khrs @ 70°C ambient, Full load, Ground Mobile

**TECHNICAL DATA**  
**DATASHEET 5186, Rev D**



**Figure 1 - Trip Curve**



**Figure 2 - Timing Diagram**

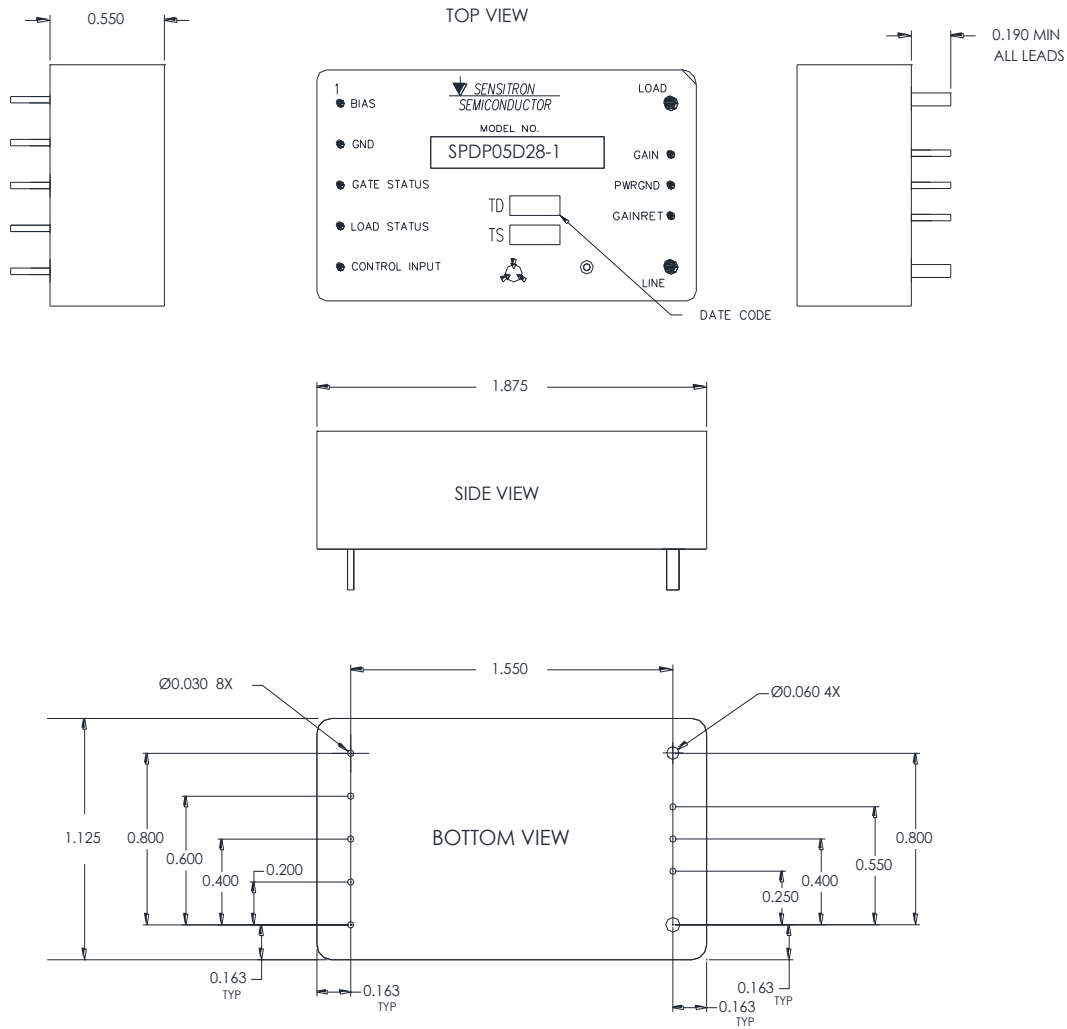
**Table 3 - Signal Timing – (-55 °C to 100 °C @ LINE = 28V DC)**

Parameter	Symbol	Min (μs)	Max (μs)
CONTROL to GATE Status Delay for Turn On	t0	100	450
Turn ON Delay	t1	100	500
Load Voltage Rise Time	t2	100	300
Turn ON to LOAD Status Delay	t3	100	500
CONTROL to GATE Status Delay for Turn Off	t4	100	450
Turn OFF Delay	t5	100	600
Load Voltage Fall Time	t6	100	300
Turn OFF to LOAD Delay	t7	100	600

**TECHNICAL DATA**  
**DATASHEET 5186, Rev D**

**Figure 3 - Mechanical Dimensions (5A, 10A, 15A, 20A, 25A, and 30A Models)**

All dimensions are in inches



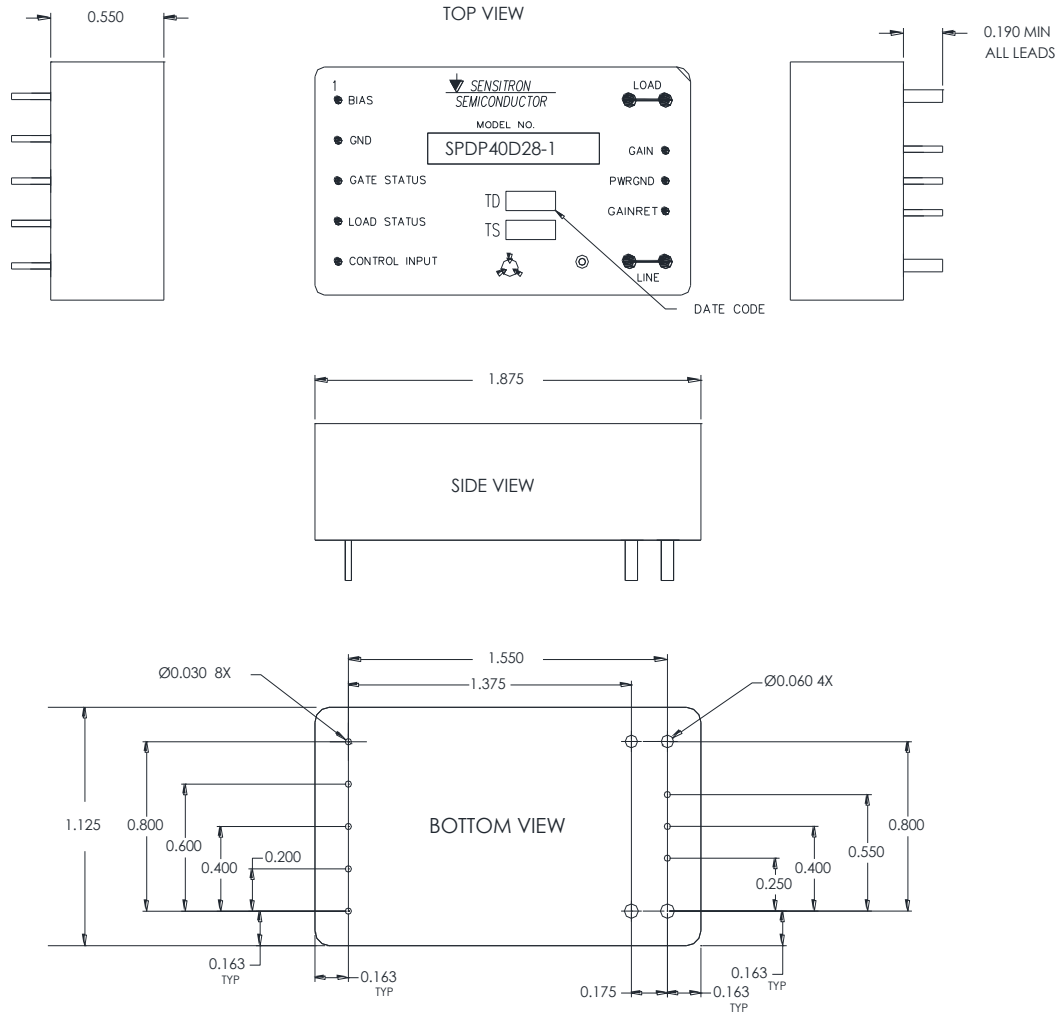
**Table 4 - Pin Definitions**

Pin Number	Pin Name	Function
1	BIAS	+5V DC Supply
2	GND	5V Return
3	GATE Status	Switch Status
4	LOAD Status	Load Current Detection
5	CONTROL Input	On/Off Control
6	LINE	+28V DC Supply
7	GAINRET	Internally connected to LOAD (pin 10)
8	PWRGND	28V Return
9	GAIN	Gain Adjust
10	LOAD	Load Connection

**TECHNICAL DATA**  
**DATASHEET 5186, Rev D**

**Figure 4 - Mechanical Dimensions (40A and 50A Models)**

All dimensions are in inches



**Table 5 - Pin Definitions**

Pin Number	Pin Name	Function
1	BIAS	+5V DC Supply
2	GND	5V Return
3	GATE Status	Switch Status
4	LOAD Status	Load Current Detection
5	CONTROL Input	On/Off Control
6, 6a	LINE	+28V DC Supply
7	GAINRET	Internally connected to LOAD (pin 10)
8	PWRGND	28V Return
9	GAIN	Gain Adjust
10, 10a	LOAD	Load Connection

**TECHNICAL DATA**  
**DATASHEET 5186, Rev D**

**Table 5 – Individual Model Ratings**

**SPDP05D28-1**

	<b>SPDP05D28-1 Set for 1.0 Amp Rating</b>	<b>SPDP05D28-1 Set for 2.5 Amp Rating</b>	<b>SPDP05D28-1 Set for 5 Amp Rating</b>
Current Rating @ 100°C	1.0A	2.5A	5A
Power Dissipation (including Control Power)	0.26W typ @ 0.6A 25°C 0.27W max @ 1A 25°C 0.27W max @ 1A 100°C	0.28W typ @ 1.5A 25°C 0.34W max @ 2.5A 25°C 0.35W max @ 2.5A 100°C	0.38W typ @ 3A 25°C 0.61W max @ 5A 25°C 0.67W max @ 5A 100°C
Max Voltage Drop	9mV typ @ 0.6A 25°C 15mV max @ 1A 25°C 17mV max @ 1A 100°C	22mV typ @ 1.5A 25°C 36mV max @ 2.5A 25°C 42mV max @ 2.5A 100°C	44mV typ @ 3A 25°C 73mV max @ 5A 25°C 83mV max @ 5A 100°C

**SPDP10D28-1**

	<b>SPDP10D28-1 Set for 2.0 Amp Rating</b>	<b>SPDP10D28-1 Set for 5 Amp Rating</b>	<b>SPDP10D28-1 Set for 10 Amp Rating</b>
Current Rating @ 100°C	2.0A	5A	10A
Power Dissipation (including Control Power)	0.26 W typ @ 1.2A 25°C 0.29W max @ 2A 25°C 0.30W max @ 2A 100°C	0.34W typ @ 3A 25°C 0.49W max @ 5A 25°C 0.54W max @ 5A 100°C	0.59W typ @ 6A 25°C 1.20W max @ 10A 25°C 1.42W max @ 10A 100°C
Max Voltage Drop	11mV typ @ 1.2A 25°C 19mV max @ 2A 25°C 23mV max @ 2A 100°C	29mV typ @ 3A 25°C 48mV max @ 5A 25°C 58mV max @ 5A 100°C	57mV typ @ 6A 25°C 95mV max @ 10A 25°C 117mV max @ 10A 100°C

**SPDP15D28-1**

	<b>SPDP15D28-1 Set for 3.0 Amp Rating</b>	<b>SPDP15D28-1 Set for 7.5 Amp Rating</b>	<b>SPDP15D28-1 Set for 15 Amp Rating</b>
Current Rating @ 100°C	3.0A	7.5A	15A
Power Dissipation (including Control Power)	0.27W typ @ 1.8A 25°C 0.32W max @ 3A 25°C 0.34W max @ 3A 100°C	0.40W typ @ 4.5A 25°C 0.67W max @ 7.5A 25°C 0.79W max @ 7.5A 100°C	0.86W typ @ 9A 25°C 1.94W max @ 15A 25°C 2.43W max @ 15A 100°C
Max Voltage Drop	14mV typ @ 1.8A 25°C 23mV max @ 3A 25°C 29mV max @ 3A 100°C	34mV typ @ 4.5A 25°C 56mV max @ 7.5A 25°C 73mV max @ 7.5A 100°C	68mV typ @ 9A 25°C 113mV max @ 15A 25°C 145mV max @ 15A 100°C

**SPDP20D28-1**

	<b>SPDP20D28-1 Set for 4.0 Amp Rating</b>	<b>SPDP20D28-1 Set for 10 Amp Rating</b>	<b>SPDP20D28-1 Set for 20 Amp Rating</b>
Current Rating @ 100°C	4.0A	10A	20A
Power Dissipation (including Control Power)	0.28W typ @ 2.4A 25°C 0.33W max @ 4A 25°C 0.35W max @ 4A 100°C	0.44W typ @ 6A 25°C 0.78W max @ 10A 25°C 0.90W max @ 10A 100°C	1.01W typ @ 12A 25°C 2.35W max @ 20A 25°C 2.87W max @ 20A 100°C
Max Voltage Drop	13mV typ @ 2.4A 25°C 21mV max @ 4A 25°C 26mV max @ 4A 100°C	32mV typ @ 6A 25°C 53mV max @ 10A 25°C 65mV max @ 10A 100°C	63mV typ @ 12A 25°C 105mV max @ 20A 25°C 131mV max @ 20A 100°C

**TECHNICAL DATA**  
**DATASHEET 5186, Rev D**

**SPDP25D28-1**

	<b>SPDP25D28-1 Set for 5.0 Amp Rating</b>	<b>SPDP25D28-1 Set for 12.5 Amp Rating</b>	<b>SPDP25D28-1 Set for 25 Amp Rating</b>
Current Rating @ 100°C	5.0A	12.5A	25A
Power Dissipation (including Control Power)	0.29W typ @ 3A 25°C 0.36W max @ 5A 25°C 0.39W max @ 5A 100°C	0.49W typ @ 7.5A 25°C 0.92W max @ 12.5A 25°C 1.12W max @ 12.5A 100°C	1.13W typ @ 15A 25°C 2.84W max @ 25A 25°C 3.64W max @ 25A 100°C
Max Voltage Drop	13mV typ @ 3A 25°C 21mV max @ 5A 25°C 28mV max @ 5A 100°C	32mV typ @ 7.5A 25°C 53mV max @ 12.5A 25°C 69mV max @ 12.5A 100°C	64mV typ @ 15A 25°C 107mV max @ 25A 25°C 139mV max @ 25A 100°C

**SPDP30D28-1**

	<b>SPDP30D28-1 Set for 6.0 Amp Rating</b>	<b>SPDP30D28-1 Set for 15 Amp Rating</b>	<b>SPDP30D28-1 Set for 30 Amp Rating</b>
Current Rating @ 100°C	6.0A	15A	30A
Power Dissipation (including Control Power)	0.31W typ @ 3.6A 25°C 0.40W max @ 6A 25°C 0.45W max @ 6A 100°C	0.60W typ @ 9A 25°C 1.21W max @ 15A 25°C 1.50W max @ 15A 100°C	1.63W typ @ 18A 25°C 4.08W max @ 30A 25°C 5.24W max @ 30A 100°C
Max Voltage Drop	15mV typ @ 3.6A 25°C 26mV max @ 6A 25°C 33mV max @ 6A 100°C	38mV typ @ 9A 25°C 64mV max @ 15A 25°C 83mV max @ 15A 100°C	77mV typ @ 18A 25°C 129mV max @ 30A 25°C 166mV max @ 30A 100°C

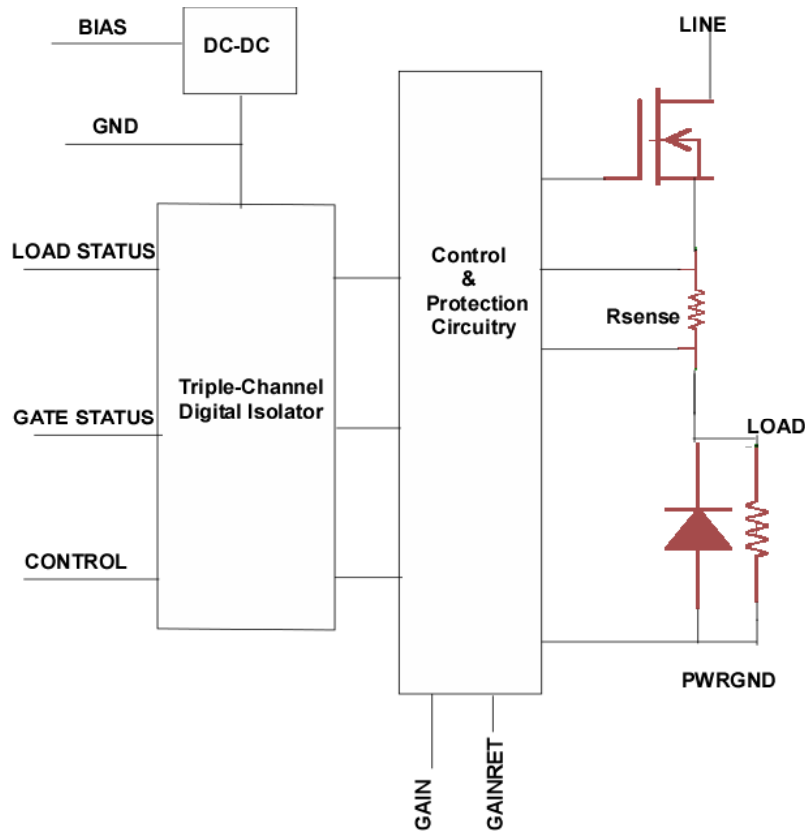
**SPDP40D28-1**

	<b>SPDP40D28-1 Set for 8.0 Amp Rating</b>	<b>SPDP40D28-1 Set for 20 Amp Rating</b>	<b>SPDP40D28-1 Set for 40 Amp Rating</b>
Current Rating @ 100°C	8.0A	20A	40A
Power Dissipation (including Control Power)	0.32W typ @ 4.8A 25°C 0.45W max @ 8A 25°C 0.46W max @ 8A 100°C	0.69W typ @ 12A 25°C 1.48W max @ 20A 25°C 1.54W max @ 20A 100°C	2.02W typ @ 24A 25°C 5.17W max @ 40A 25°C 5.41W max @ 40A 100°C
Max Voltage Drop	15mV typ @ 4.8A 25°C 25mV max @ 8A 25°C 26mV max @ 8A 100°C	43mV typ @ 12A 25°C 62mV max @ 20A 25°C 65mV max @ 20A 100°C	86mV typ @ 24A 25°C 123mV max @ 40A 25°C 129mV max @ 40A 100°C

**SPDP50D28-1**

	<b>SPDP50D28-1 Set for 10.0 Amp Rating</b>	<b>SPDP50D28-1 Set for 25 Amp Rating</b>	<b>SPDP50D28-1 Set for 50 Amp Rating</b>
Current Rating @ 100°C	10.0A	25A	50A
Power Dissipation (including Control Power)	0.35W typ @ 6A 25°C 0.54W max @ 10A 25°C 0.55W max @ 10A 100°C	0.90W typ @ 15A 25°C 2.05W max @ 25A 25°C 2.14W max @ 25A 100°C	2.83W typ @ 30A 25°C 7.44W max @ 50A 25°C 7.81W max @ 50A 100°C
Max Voltage Drop	17mV typ @ 6A 25°C 29mV max @ 10A 25°C 30mV max @ 10A 100°C	43mV typ @ 15A 25°C 72mV max @ 25A 25°C 76mV max @ 25A 100°C	86mV typ @ 30A 25°C 144mV max @ 50A 25°C 151mV max @ 50A 100°C

Figure 5 - Electrical Block Diagram



### Description

Figure 5 shows the block diagram of the SPDPXXD28-1 series. It uses a low-power digital isolator device for digital I/O. These are CMOS devices that employ an RF coupler to transmit digital information across an isolation barrier. Very high speed operation at low power levels is achieved. The operation of a digital isolator channel is analogous to that of an opto coupler, except an RF carrier is modulated instead of light. This simple architecture provides a robust isolated data path and requires no special considerations or initialization at start-up. A channel consists of an RF Transmitter and RF Receiver separated by a semiconductor-based isolation barrier. Transmitter input modulates the carrier provided by an RF oscillator using on/off keying. The Receiver contains a demodulator that decodes the input state according to its RF energy content and applies the result to the output via the output driver. This RF on/off keying scheme is superior to pulse code schemes as it provides best-in-class noise immunity, low power consumption, and better immunity to magnetic fields.

The block labeled “Control & Protection Circuitry” gets power from the DC-DC converter and is referenced to the output of the SSPC. This block contains an amplifier to gain up the voltage developed across the sense resistor. It also contains a microcontroller with on-board timers, A/D converter, clock generator and independent watchdog timer. The microcontroller implements a precision  $I^2t$  protection curve as well as an Instant Trip function to protect the wiring and to protect itself. It performs all of the functions of multiple analog comparators and discrete logic in one high-reliability component.

The “Control & Protection Circuitry” block also has the ability to adjust the current rating of each model of the SPDPXXD28-1 Series over a 5:1 range. If the “Gain” terminal is left open, the SSPC will be set for maximum rating. If the “Gain” terminal is connected directly to the “GainRET” terminal, the SSPC will be set for 1/5 of the



---

**TECHNICAL DATA**  
**DATASHEET 5186, Rev D**

maximum rating. Furthermore, a resistor connected between the “Gain” terminal and the “GainRET” terminal will set a rating between maximum and 1/5 of maximum. See Figure 7 for the relationship between rating and resistor value.

The code programmed in the microcontroller acquires the output of the internal A/D converter, squares the result and applies it to a simulated RC circuit. It checks the output of the simulated circuit to determine whether or not to trip (turn off the power Mosfets). Because the microcontroller simulates an analog RC circuit, the SSPC has ‘thermal memory’. That is, it trips faster if there had been current flowing prior to the overload than if there hadn’t been current flowing. This behavior imitates thermal circuit breakers and better protects the application’s wiring since the wiring cannot take as much an overload if current had been flowing prior to the overload.

The watchdog timer operates from its own internal clock so a failure of the main clock will not stop the watchdog timer. The code programmed in the microcontroller will periodically reset the watchdog timer preventing it from timing out. If the code malfunctions for any reason, the watchdog timer is not reset and it times out. When the watchdog timer times out, it resets the microcontroller. Since the code is designed to detect levels and not edges, the output of the module, and therefore the output of the SPDPXXD28-1, immediately reflects the command on its input.

The Power Mosfets used in the SPDPXXD28-1 Series have been selected for very low  $R_{ds(on)}$  and results in low voltage drop and low power dissipation. In most applications, the SPDPXXD28-1 will be operated at 50 – 60% of rated current to provide a safety margin. As can be seen in Table 1, when the SPDP25D28-1 is operated at 15 Amps, 60% of rated current, it only dissipates 1.0 Watt at room temperature. No heat sinking is required for this condition. However, if the SPDP25D28-1 is to be operated at maximum rating and/or at elevated temperatures, the dissipation can exceed 4 Watts and heat sinking is required. Some heat sinking can be accomplished by adding copper area to the LINE and LOAD pins, a heatsink can be epoxy attached to the surface of the module or a flat copper or aluminum heatsink can be sandwiched between the SPDP25D28-1 and the printed circuit board using a thermal pad to maximize heat transfer. Each application should be evaluated at maximum expected constant current. The lower current models in the SPDPXXD28-1 Series do not require heat sinking under all conditions.

For overloads, no heat sinking is required provided the SPDPXXD28-1 Series is allowed some time to cool down. The SPDPXXD28-1 has sufficient thermal mass that the temperature will rise only a few degrees under the worst-case overload. Repetitive overloads should be avoided. When the SPDPXXD28-1 reports a trip condition, the controller driving the SPDPXXD28-1 should allow no more than four repetitions and then allow thirty seconds to cool down before trying to turn on again.

The SPDPXXD28-1 will trip on overloads in the ALWAYS TRIP region shown in Figure 1 and will never trip when in the NEVER TRIP region. The SPDPXXD28-1 can be reset by bringing the CONTROL pin to a logic low. When the CONTROL pin is brought back to logic high, the SPDPXXD28-1 will turn back on. If the overload is still present, the SPDPXXD28-1 will trip again. Cycling the 5 Volt BIAS power will also reset the SPDPXXD28-1. If the CONTROL pin is at logic high when the BIAS power is cycled, the SPDPXXD28-1 will turn back on when the BIAS power is re-applied.

## **Status Outputs**

The LOAD and GATE status outputs of the SPDPXXD28-1 show whether or not the load is drawing current and Power Mosfet switch is on. A logic high on the LOAD status output shows that the load draws  $\leq 5\%$  of rated load and a logic low shows that the load draws  $\geq 15\%$  of rated current. A load that draws between 5% and 15% of rated current could result in either a high or low logic level on the LOAD status output. Logic high on the GATE output indicates that the Power Mosfet switch is on while a logic low indicates that the switch is off.

As can be seen in Table 6, of the 8 possible states for the combination of CONTROL, LOAD and GATE, only 3 states represent valid SSPC operation. The other 5 states indicate either a failed SSPC or, more likely, a short to ground or a short to the BIAS supply of one of the logic outputs. By comparing the CONTROL input with the

**TECHNICAL DATA**  
**DATASHEET 5186, Rev D**

LOAD and GATE outputs, the user can determine whether or not the load is supposed to be ON (GATE), whether or not it's drawing current (GATE) and whether or not the LOAD and GATE outputs are valid responses to the CONTROL input.

**Table 6 – CONTROL, LOAD & GATE Truth Table**

State	CONTROL	LOAD	GATE	Comments
1	L	L	L	SSPC failure or shorted LOAD output to ground
2	L	L	H	SSPC failure
3	L	H	L	Normal OFF condition
4	L	H	H	SSPC failure or shorted GATE output to BIAS supply
5	H	L	L	SSPC failure or shorted GATE output to ground
6	H	L	H	Normal ON condition with load current > 15% rated current
7	H	H	L	Tripped
8	H	H	H	Normal ON condition with load current < 5% rated current

**Wire Size**

MIL-W-5088L has a chart that shows wire size as a function of wire temperature and current. This chart is for a single copper wire in free air. For an ambient temperature of 70 °C, the chart allows an 18-gauge wire to handle 25 Amps continuously at a wire temperature of 200 °C – a wire temperature rise of 130 °C. For a wire temperature limited to 150 °C, the chart requires a 16-gauge wire and for a wire temperature of 105 °C, the chart requires a 14-gauge wire.

Amendment 1 of MIL-W-5088L has a table for copper wire in a bundle, group or harness with condition on the number of wires, percent of total harness capacity, etc. This table shows that a 12 gauge wire is necessary for 200 °C operation, 10-gauge for 150 °C and 8-gauge for 105 °C.

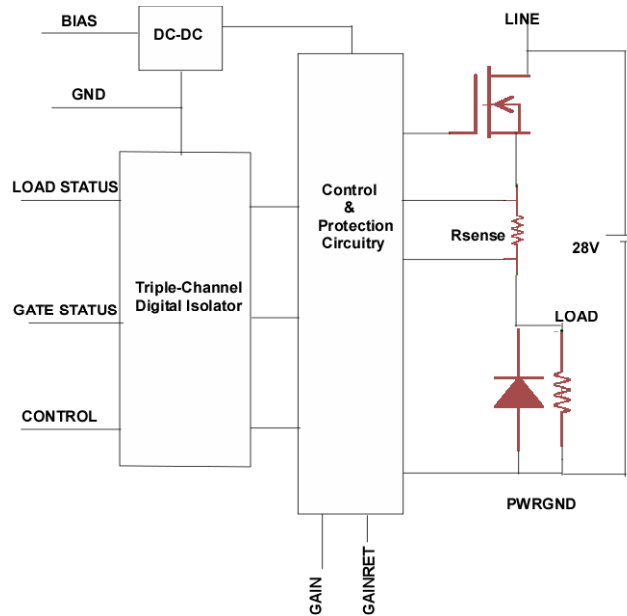
MIL-W-5088L has various figures showing derating for harnesses as a function of the number of current carrying conductors for different altitudes. MIL-W-5088L only specifies wire for DC or RMS AC conditions, not for transient or overload conditions. MIL-W-5088L and its amendment should be consulted to determine minimum wire sizes for other currents and conditions.

For transient or overload conditions, the transient or overload happens so quickly that heat is not transferred from the wire to the surroundings. The heat caused by the  $I^2R$  heating of the wire causes the temperature to rise at a linear rate controlled by the heat capacity of the wire. The equation for this linear rise in temperature, with respect to time, can be solved as:  $I^2t = \text{constant}$ . Every wire has an  $I^2t$  rating that's dependent on the temperature rise allowed and the diameter of the wire. If the  $I^2t$  rating of the SSPC or circuit breaker is less than the  $I^2t$  rating of the wire, then the SSPC or circuit breaker can protect the wire. The maximum  $I^2t$  rating for the SPDP25D28-1 is  $7.45 \times 10^3$  Amp<sup>2</sup>-Seconds. Every wire size in the paragraphs above has an  $I^2t$  rating that exceeds the SPDP25D28-1  $I^2t$  rating for the temperature rises stated. Therefore, to select a wire size, it's simply a matter of determining the maximum temperature rise of the application and deciding whether or not the wire will be in a bundle and use the information above. Similarly, the  $I^2t$  ratings for the SPDP12D28-1 and SPDP05D28-1 are  $1.72 \times 10^3$  Amp<sup>2</sup>-Seconds and 300 Amp<sup>2</sup>-Seconds, respectively.

**TECHNICAL DATA**  
**DATASHEET 5186, Rev D**

**Application Connections**

Figure 6 shows the typical application connections of SPDPXXD28-1 as a high-side switch with a positive power supply.



**Rise Time & Fall Time**

The rise and fall times of the SPDPXXD28-1 are pre-set at the factory for a nominal 100 $\mu$ S with a LINE supply of 28VDC (see Table 3 for min/max limits). The rise and fall times will vary linearly with supply voltage. The PWRGND pin is used to control the rise and fall times. If the PWRGND pin is left open, the rise and fall times will be about 50 $\mu$ S. Leaving the PWRGND pin open can be useful when a faster rise or fall time is desirable.

With the PWRGND pin connected as in Figures 6, the SPDPXXD28-1, when set for a 25 Amp rating, can turn on into a capacitive load of 440 $\mu$ F, min, 880 $\mu$ F, typ, without tripping for any power supply voltage within the ratings. The capacitive load capability is proportional to current rating and can be therefore easily calculated for each model and setting in the SPDPXXD28-1 Series.

**Wiring and Load Inductance**

Wiring inductance can cause voltage transients when the SPDPXXD28-1 is switched off due to an overload. Generally, these transients are small but must be considered when long wires are used on either the LINE or LOAD pins or both. A 10 foot length of wire in free air will cause a transient voltage of about 10 Volts when the SPDP25D28-1 trips at an Instant Trip level of 250 Amps. At the rated load current of 25 Amps, the voltage transient will be about 1 Volt. If longer wire lengths are used, a transient suppressor may be used at the LINE pin and a power diode may be used at the LOAD pin so that the total voltage between the LINE and LOAD pins is less than 50 Volts.

When powering inductive loads, the negative voltage transient at the LOAD pin can cause the voltage between LINE and LOAD to exceed the SPDPXXD28-1 rating of 50 Volts and a power diode from the LOAD pin to ground must be used. The cathode of the power diode is connected to the LOAD pin with the anode connected to ground. The power diode must be able to carry the load current when the SPDPXXD28-1 switches off. Voltage transients due to wiring or load inductance are proportional to the operating current.

**TECHNICAL DATA**  
**DATASHEET 5186, Rev D**

**Paralleling**

For example, putting two SPDP25D28-1s in parallel will not double the rating to 50 Amps. Due to differences in the  $R_{ds(on)}$  of the Power Mosfets in the SSPCs, the current will not share equally. In addition, there are unit-to-unit differences in the trip curves so that two SPDP25D28-1s in parallel may possibly trip at 35 Amps. Also, both SPDP25D28-1s will not trip together; the SPDP25D28 carrying the higher current will trip first followed by the other SPDP25D28-1. Multiple SPDP25D28-1s may be used in parallel as long as these complexities are appreciated. Due not parallel different models of this series as the current sharing will not be predictable.

**Board Layout**

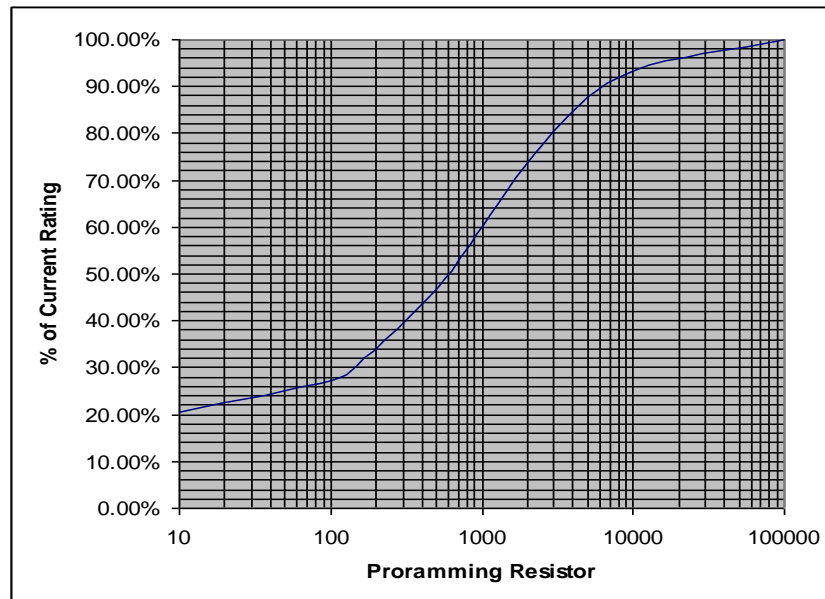
The current-carrying power circuit should be kept well away from the control circuit and other low-level circuits in the system. It's unlikely, but possible, that magnetic coupling could affect the control circuit when turning normal loads on and off. However, in the case of an overload, the magnetic coupling could be 10 times greater than with normal loads. Effects of such coupling could cause 'chattering' when turning on and off, oscillation, and the possibility of turning the SPDPXXD28-1 back on after an overload. The SPDPXXD28-1 Series is a Trip-Free device. Once tripped it will not turn back on until reset and commanded on again. Reset is accomplished by bringing the CONTROL pin low and turning the SSPC back on is accomplished by bringing the CONTROL pin high. Sufficient magnetic coupling between the current-carrying power circuit and the control circuit can negate the Trip-Free characteristic.

**MIL-STD-704F**

These standards cover the characteristics of the electrical systems in Military Aircraft. The SPDPXXD28-1 Series meets all of the requirements of MIL-STD-704F including Normal, Emergency, Abnormal and Electric Starting conditions with the Ripple, Distortion Factor and Distortion Spectrum defined in the standard.

**Figure 7 – SPDPXXD28-1**

Rating vs. "Gain" and "GainRTN" Terminals



---

**TECHNICAL DATA**  
**DATASHEET 5186, Rev D**

**ORDERING INFORMATION**

SPDPXXD28-1: XX is for maximum amps.

- SPDP05D28-1: Programmable from 1A to 5A
- SPDP10D28-1: Programmable from 2A to 10A
- SPDP15D28-1: Programmable from 3A to 15A
- SPDP20D28-1: Programmable from 4A to 20A
- SPDP25D28-1: Programmable from 5A to 25A
- SPDP30D28-1: Programmable from 6A to 30A
- SPDP40D28-1: Programmable from 8A to 40A
- SPDP50D28-1: Programmable from 10A to 50A

**DISCLAIMER:**

1- The information given herein, including the specifications and dimensions, is subject to change without prior notice to improve product characteristics. Before ordering, purchasers are advised to contact the Sensitron Semiconductor sales department for the latest version of the datasheet(s).

2- In cases where extremely high reliability is required (such as use in nuclear power control, aerospace and aviation, traffic equipment, medical equipment, and safety equipment), safety should be ensured by using semiconductor devices that feature assured safety or by means of users' fail-safe precautions or other arrangement.

3- In no event shall Sensitron Semiconductor be liable for any damages that may result from an accident or any other cause during operation of the user's units according to the datasheet(s). Sensitron Semiconductor assumes no responsibility for any intellectual property claims or any other problems that may result from applications of information, products or circuits described in the datasheets.

4- In no event shall Sensitron Semiconductor be liable for any failure in a semiconductor device or any secondary damage resulting from use at a value exceeding the absolute maximum rating.

5- No license is granted by the datasheet(s) under any patents or other rights of any third party or Sensitron Semiconductor.

6- The datasheet(s) may not be reproduced or duplicated, in any form, in whole or part, without the expressed written permission of Sensitron Semiconductor.

7- The products (technologies) described in the datasheet(s) are not to be provided to any party whose purpose in their application will hinder maintenance of international peace and safety nor are they to be applied to that purpose by their direct purchasers or any third party. When exporting these products (technologies), the necessary procedures are to be taken in accordance with related laws and regulations.